

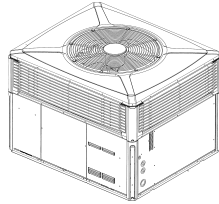


# Locating The Serial Numbers On Your New Products

Contact your installing dealer or  
print this document for help.

# Which New Products Do You Have?

- Packaged Unit (All in One)



- Thermostat



- Air Conditioner or Heat Pump



- Air Cleaner



- Furnace



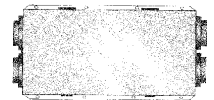
- Humidifier



- Indoor Coil



- Energy Recovery Ventilator

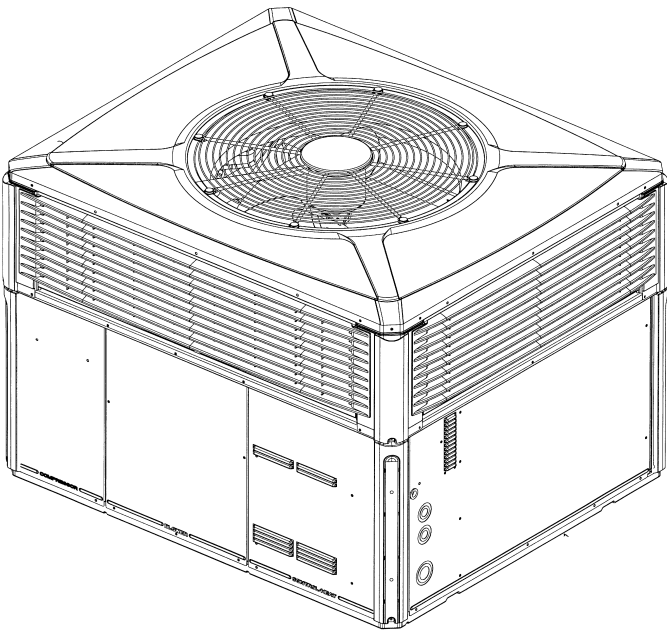


- Air Handler



# Packaged Unit

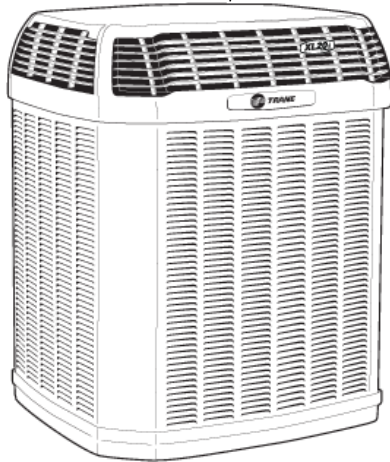
- The serial number label is located on the rear panel of the outdoor unit.






TRANE	
Fort Smith, AR. 72903	
MODEL NO.	FORCED AIR FURNACE WITH
<b>Serial No.</b>	COOLING UNIT, FOR OUTDOOR
DATE OF MFG.	INSTALLATION ONLY.
ELECTRICAL RATING	
MIN/MAX OPER. VOLT /	
MAX HACR CKT BRK	INSTALL AND MAINTAIN THIS UNIT
MAX CKT BRK(CANADIAN INST)	AS DESCRIBED IN THE MANUALS
CONTROL CKT VOLT	PROVIDED.
MIN CKT AMP	
MAX FUSE SIZE	
MIN TEST PRESSURE: HIGH LOW PSIG	
BR. CKT. SEL. CUR.	
COMPR QTY PH HZ RLA LRA	ANSI Z21.47b-USA 2.3b-2008
A	CENTRAL FURNACE
B	
INTERNALLY PROTECTED COMPRESSOR	
FAN QTY PH HZ FLA HP	QTY REFRIG CKTS
COND	FACTORY CHARGED:
EVAP	LBS - OZ
EXHAUST	CPR "A" R22
	CPR "B" R22
HEATING INPUT BTUH	
HEATING OUTPUT BTUH	
MIN. INPUT BTUH	
ORIFICE DRILL SIZE	
ALTITUDE SPECIFICATIONS 0-2000 FT	
MAX EXT S.P. INCHES W.C.	
TEMP RISE DEG F	
DESIGNED MAX OUTLET AIR TEMP. DEG F	FOR GAS
MAX GAS SUPPLY PRESS IN. W.C.	MIN AMBIENT TEMP
MIN GAS SUPPLY PRESS IN. W.C.	
MANIFOLD PRESS INCHES W.C.	
WHEN UNIT IS CONVERTED TO DOWNFLOW, METAL OR	
CLASS I PLENUM AND AIR OUTLET DUCT MUST BE USED	
CLEARANCES TO COMBUSTIBLE MATERIAL (INCHES): TOP	
L. SIDE R. SIDE FRONT BACK	FOR INSTALLATION ON
COMBUSTIBLE FLOORING OR CLASS A, B, C ROOF COVERING MATERIAL.	
Manufactured under one or more of the following U.S. Patents	
	ASSEMBLED IN USA D932287P01
	UL US LISTED
D672473P02	LISTED MODELS

# Air Conditioner or Heat Pump

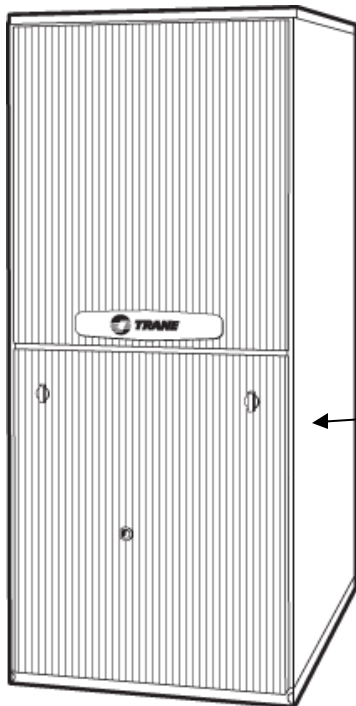
- The serial number label is located on the top, right-rear of the outdoor unit.



MFR. NO. <input type="text"/>		MFR. DATE <input type="text"/>
SERIAL NO. <input type="text"/>		PH <input type="checkbox"/>
MINIMUM CIRCUIT CAPACITY <input type="text"/>		VOLTS <input type="text"/>
OVERCURRENT PROTECTIVE DEVICE		HZ <input type="text"/>
MIN FUSE / BREAKER (HACR) <input type="text"/>		AMPS <input type="text"/>
MAX FUSE / BREAKER (HACR) <input type="text"/>		USA <input type="checkbox"/> CANADA <input type="checkbox"/>
<input type="text"/> LBS. <input type="text"/> OZ. OR <input type="text"/> kg (SI)		
AMERICAN STANDARD INC. AND AMERICAN STANDARD		
TYLER, TX 75707 ASSEMBLED IN USA		3059934 OUTDOOR USE
COMPR. MOT. <input type="text"/>	RLA <input type="text"/>	V <input type="text"/>
O.D. MOT. <input type="text"/>	FLA <input type="text"/>	V <input type="text"/>
M.E.A. NO. <input type="text"/>	F. ID. <input type="text"/>	
		
		<b>ARI Standard</b> 210/240 U CERTIFICATION APPLIES ONLY WHEN THE COMPLETE SYSTEM IS LISTED WITH ARI

# Furnace

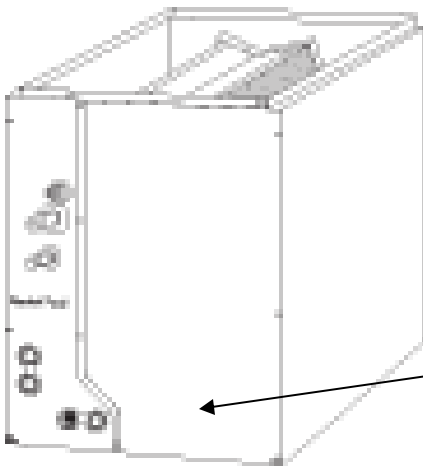
- The serial number label is located on the right or left panel of the furnace. (closet, attic, basement, garage)




MODEL NUMBER:	NUMERO DE MODELE:
<b>SERIAL NUMBER:</b>	NUMERO DE SERIE:
DATE OF MANUFACTURE:	MM/YY

# Indoor Coil

- The serial number label is located on the front panel of the indoor coil unit. (with the furnace)

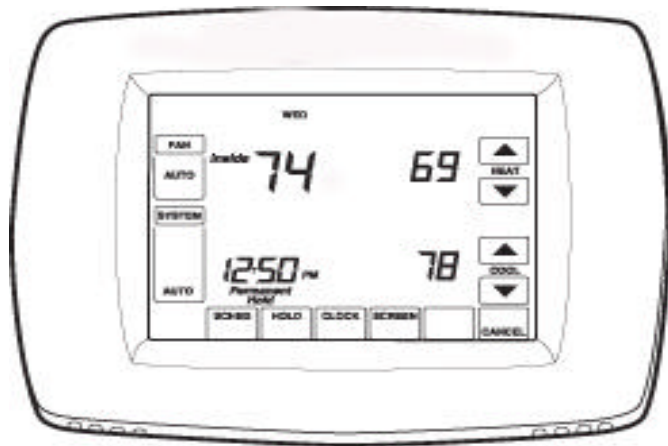


(A)			
			Assembled in USA
MODEL NO.	SERIAL NO.		
SUITABLE FOR MOBILE HOME USE			
REFRIGERANT	MFG DATE	DESIGN PSI	
			B340527P01



# Thermostat

- The model number label is located behind the front cover. (Remove from wall plate)



Assembled in Mexico

**TCONT803A832DAA**

0750

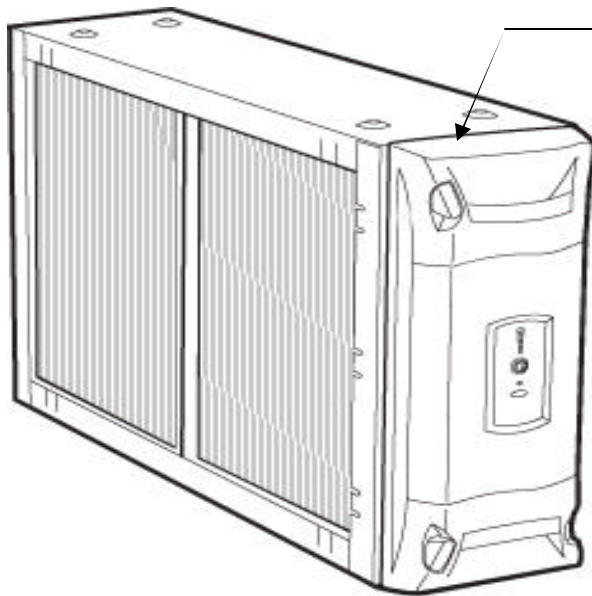
TH832U1030


US Patent #: 6595430, D509151,  
Additional patents pending



# Air Cleaner

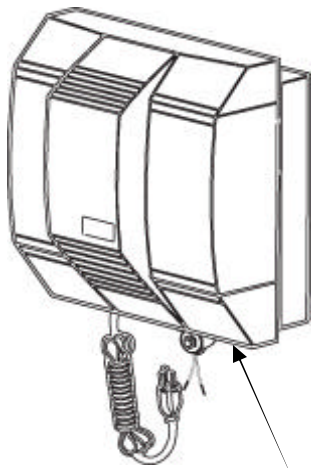
- The serial number label is located on the back of the door. (Next to furnace or air handler)



Trane U.S. Inc. Manufacturer of Trane & American Standard HVAC Tyler, TX 75707	ELECTROSTATIC AIR CLEANER
MODEL NO.	
SERIAL NO.	
MFG. DATE	
24 VAC 0.8 AMPS	ELECTROSTATIC AIR CLEANER 29VD
D802464	MANUFACTURED UNDER ONE OR MORE OF THE FOLLOWING U.S. PATENTS: 6,749,669, 7,332,019, 7,351,274 AND D540,930 EPA Est.No.084781-GA-001

# Humidifier

- The serial number label is located on the bottom of the unit. (near furnace or air handler)

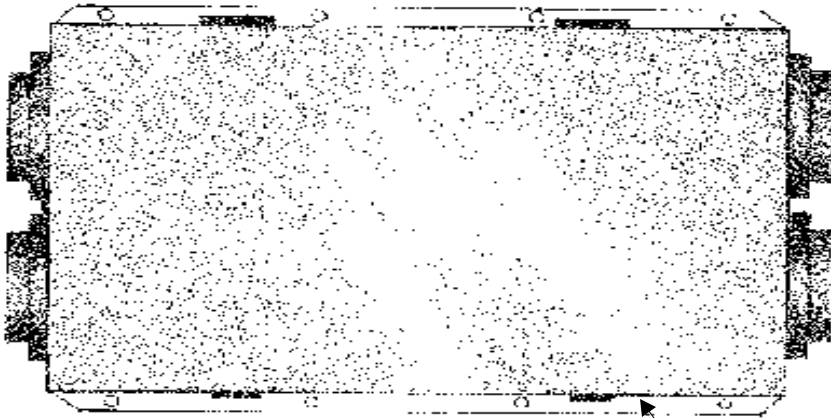




Model Number  
**THUMD500APA00BA**

Serial Number

# Energy Recovery Ventilator

- The serial number label is located on the bottom of the unit. (near external wall in attic, basement, garage)



	<b>Energy Recovery Ventilator</b>	
<small>LISTED 440315 1600 60940920 400</small>	MODEL ERV100A9P00AA	MODELE
898S	DUCTED HEAT RECOVERY VENTILATOR	
For residential use only Not for use in cooking area. <b>WARNING:</b> Danger of electrical shock. Always disconnect from power source before servicing.	Pour residence seulement. Ne pas utiliser dans les aires de emission. <b>AVERTISSEMENT:</b> Danger de choc electrique. Toujours deconnecter la source d'alimentation avant les reparations.	
120V, 50HZ, 1 Phase Qty 1: .09 HP & 1.2 F.L.A. Motors Thermally Protected	120V, 50HZ, 1 Phase Qty 1: de chaque .09 CV & 1.2 A.P.C. Moteurs proteges thermiquement	
<b>SERIAL NUMBER:</b>	Trane 6200 Troup Highway Tyler, TX 75707	